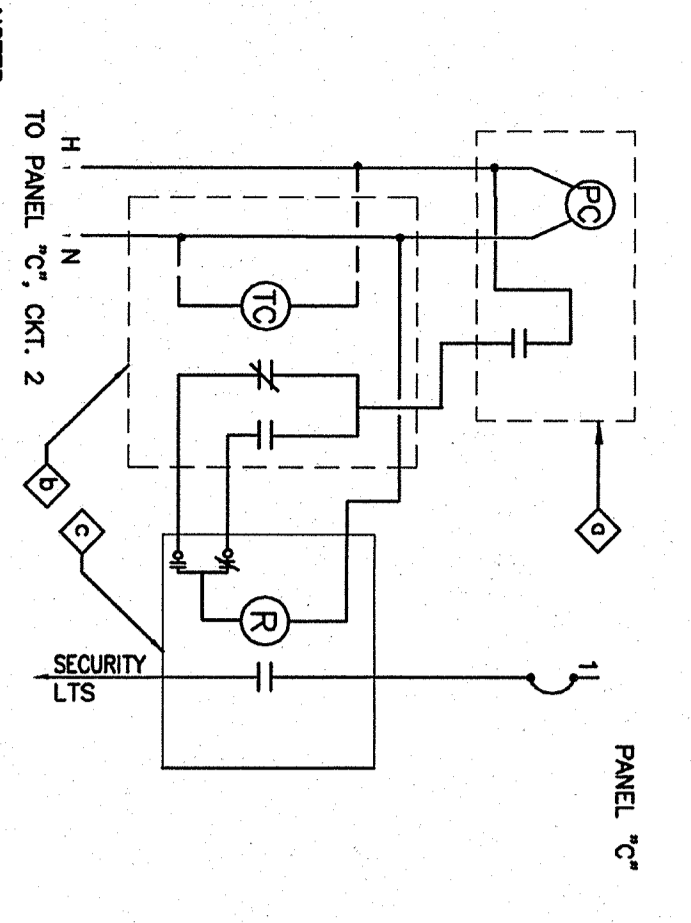


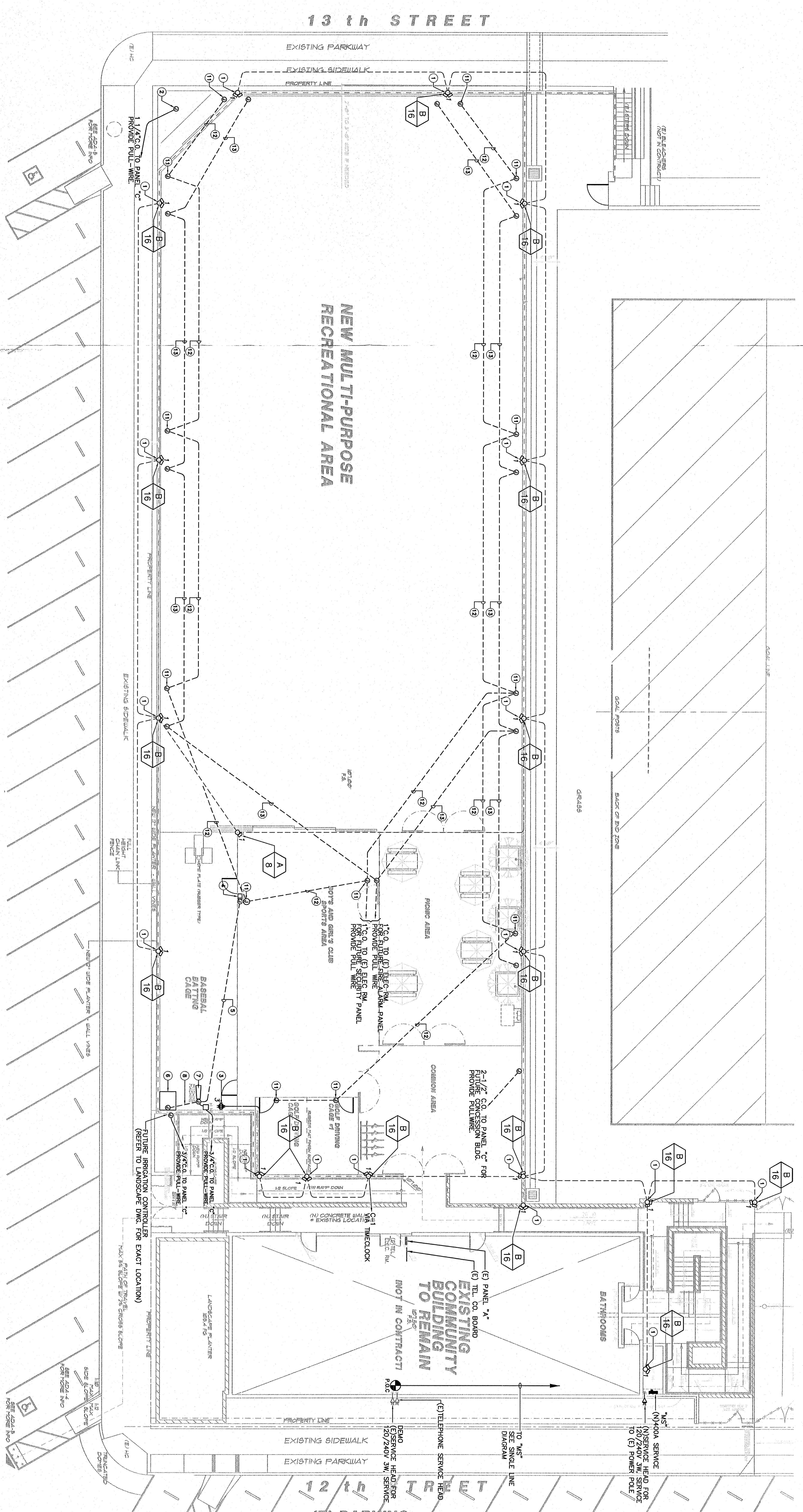
LOCATION	FLOOR	GROUND FLOOR	REESTAL	VOLTS/PHASE	BUS AMPS	200A	FEED FROM	10K AAC
(NEW) PANEL: "C"								
LOADS	SEE	QTY	REC	MSC	A	B	TIME-CLOCK	LOADS
PANEL SECURITY LITG	38	1	600	2001	2	120		
BATTING CAGE SERV. RECEIPT			360	201	4	6		
					5	8		
					6	10		
					7	12		
					8	14		
					9	16		
					10	18		
					11	20		
					12	22		
					13	24		
					14	26		
					15	28		
					16	30		
					17	32		
					18	34		
					19	36		
					20	38		
					21	40		
					22	42		
					23	44		
					24	46		
					25	48		
					26	50		
					27	52		
					28	54		
					29	56		
					30	58		
					31	60		
					32	62		
					33	64		
					34	66		
					35	68		
					36	70		
					37	72		
					38	74		
					39	76		
					40	78		
					41	80		
					42	82		
					43	84		
					44	86		
					45	88		
					46	90		
					47	92		
					48	94		
					49	96		
					50	98		
					51	100		
					52	102		
					53	104		
					54	106		
					55	108		
					56	110		
					57	112		
					58	114		
					59	116		
					60	118		
					61	120		
					62	122		
					63	124		
					64	126		
					65	128		
					66	130		
					67	132		
					68	134		
					69	136		
					70	138		
					71	140		
					72	142		
					73	144		
					74	146		
					75	148		
					76	150		
					77	152		
					78	154		
					79	156		
					80	158		
					81	160		
					82	162		
					83	164		
					84	166		
					85	168		
					86	170		
					87	172		
					88	174		
					89	176		
					90	178		
					91	180		
					92	182		
					93	184		
					94	186		
					95	188		
					96	190		
					97	192		
					98	194		
					99	196		
					100	198		
					101	200		
					102	202		
					103	204		
					104	206		
					105	208		
					106	210		
					107	212		
					108	214		
					109	216		
					110	218		
					111	220		
					112	222		
					113	224		
					114	226		
					115	228		
					116	230		
					117	232		
					118	234		
					119	236		
					120	238		
					121	240		
					122	242		
					123	244		
					124	246		
					125	248		
					126	250		
					127	252		
					128	254		
					129	256		
					130	258		
					131	260		
					132	262		
					133	264		
					134	266		
					135	268		
					136	270		
					137	272		
					138	274		
					139	276		
					140	278		
					141	280		
					142	282		
					143	284		
					144	286		
					145	288		
					146	290		
					147	292		
					148	294		
					149	296		
					150	298		
					151	300		
					152	302		
					153	304		
					154	306		
					155	308		
					156	310		
					157	312		
					158	314		
					159	316		
					160	318		
					161	320		
					162	322		
					163	324		
					164	326		
					165	328		
					166	330		
					167	332		
					168	334		
					169	336		
					170	338		
					171	340		
					172	342		
					173	344		
					174	346		
					175	348		
					176	350		
					177	352		
					178	354		
					179	356		
					180	358		
					181	360		
					182	362		
					183	364		
					184	366		
					185	368		
					186	370		
					187	372		
					188	374		
					189	376		
					190	378		
					191	380		
					192	382		
					193	384		
					194	386		
					195	388		
					196	390		
					197	392		
					198	394		
					199	396		
					200	398		
					201	400		
					202	402		
					203	404		
					204	406		
					205	408		
					206	410		



NOTES:  
 1. PHOTO ELECTRIC CONTROL ON DIM. (INTERMATIC KA121)  
 2. 2-SPD. 7-DAY ASTRONOMIC ELECTRONIC TIME SWITCH.  
 3. 20A PER POLE INTERMATIC METROZIC WITH BATTERY BACK-UP.  
 4. ASCO 917 SERIES (12 RELAY) LIGHTING CONTROL (NO) SWITCH OR EQUAL

**FUTURE PARK LIGHTING CONTROL WIRING DIAGRAM**  
 SCALE NONE

- KEY NOTES**
- 1 PARK SECURITY LIGHTING.
  - 2 CONDUIT STUB UP FOR FUTURE PARK SIGNAGE.
  - 3 INTERMATIC SAFETY OUTLET MODEL W/ 1/2" O.D. LOCKABLE (STAINLESS STEEL COVER) W/ FENCE FOR GATE ACCESS ENTRY.
  - 4 FUTURE COIN BOX MOUNTED AT 3/4" C. P.V.C. FOR FUTURE COIN BOX WIRING.
  - 5 J-BOX FOR FUTURE ELEVATOR-(120 VAC, 20A)
  - 6 J-BOX FOR FUTURE MACHINE-(120 VAC, 15A)
  - 7 3/4" GALV. FOR FUTURE MACHINE & ELEVATOR SUPPLY RUN.
  - 8 NOT USED.
  - 9 ALL EXPOSED JUNCTION BOXES, TO BE WEATHERPROOF.
  - 10 ALL FUTURE JUNCTION BOXES SHALL HAVE A BLANK COVER.
  - 11 1" C - UNDERGROUND FOR FUTURE SECURITY BOX LOCATION.
  - 12 1" C - UNDERGROUND FOR FUTURE FA BOX LOCATION.



**1 ELECTRICAL SITE PLAN - DANIELS FIELD**  
 E-2

SCALE 1/8"=1'-0"

TITLE .24  
 ENERGY ONLY

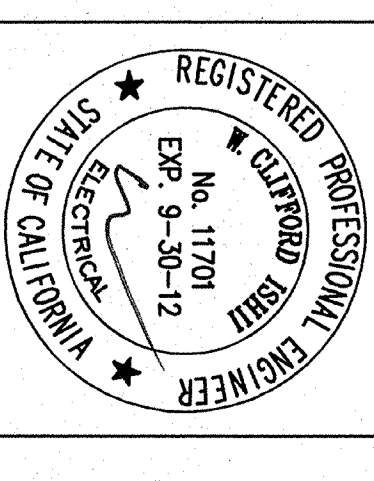
REVISIONS				REVISIONS			
NO.	DATE	ITEM	BY	NO.	DATE	ITEM	BY
1	8-23-04	LAST DISTRIBUTION CITY LAMP REVIEW	JCR	2	8-30-04	PARK REVISIONS	JCR
2	1-20-05	REC # PARKS REVIEW	JCR	3	2-9-05	PARK REVISIONS	JCR
3	1-20-05	BID # PLAN CHECK	JCR				
4	8-23-04	REC # PARKS REVISION	JCR				

**Rodin Associates**  
 Jerry C. Rodin, Architect, A.I.A.

29000 S. WESTERN AVENUE, SUITE 408  
 RANCHO PALOS VERDES, CA 90275  
 OFFICE: (310) 832-3135  
 FAX: (310) 832-0333  
 E-MAIL: jcrodin@sbcglobal.net

DANIELS FIELD SKATE PARK & SPORTS CENTER DESIGN FOR:  
**THE CITY OF LOS ANGELES DEPARTMENT OF RECREATION AND PARKS**  
**BOYS & GIRLS CLUB OF SAN PEDRO**  
 MIKE LANSING, EXECUTIVE DIRECTOR  
 1200 S. CABRILLO AVENUE SAN PEDRO, CA 90731  
 (310) 833-0801 OFFICE (310) 833-4253 FAX  
 845 W. 12th STREET, SAN PEDRO, CA 90731  
 SITE

**ELECTRICAL SITE PLAN**



E-2  
 12/21/2011  
 RA-2002-005

ROBIN ASSOCIATES, JERRY C. RODIN, ARCHITECT, A.I.A. EMPLOYER'S RESERVE THEIR COPYRIGHT AND OTHER PROTECTIVE RIGHTS IN THESE PLANS. THESE PLANS ARE NOT TO BE REPRODUCED, COPIED, OR COMPILED IN ANY MANNER WITHOUT FIRST OBTAINING THE WRITTEN PERMISSION AND CONSENT OF ROBIN ASSOCIATES, JERRY C. RODIN, ARCHITECT, A.I.A. SHOULD AUTHORIZED REUSE BY A THIRD PARTY WITHOUT FIRST OBTAINING THE WRITTEN PERMISSION AND CONSENT OF ROBIN ASSOCIATES, JERRY C. RODIN, ARCHITECT, A.I.A. SHALL BE HELD HARMLESS.

**Certificate of Compliance**  
 Project Name: **BOYS & GIRLS CLUB SAN PEDRO**  
 Date: **6/15/2012**  
**ALLOWED AND INSTALLED OUTDOOR LIGHTING POWER**

	Lighting Wattage Power Allowance
A	Lighting power allowance for general landscape (from OLTG-2C Page 1 of 3)
B	Specific application lighting wattage allowance per unit length (from OLTG-2C Page 1 of 3)
C	Specific application average allowance for ornamental lighting (from OLTG-2C Page 1 of 3)
D	Specific application average allowance per application (from OLTG-2C Page 2 of 3)
E	Specific application wattage allowance per area (from OLTG-2C Page 2 of 3)
F	Additional lighting power allowance for ordinance requirements (from OLTG-2C Page 3 of 3)
G	Total Allowed Wattage - Sum of rows A through F:
H	Total Installed Wattage (from Landscape Schedule, from OLTG-1C Page 4 of 4)

**Certificate of Compliance**  
 Project Name: **BOYS & GIRLS CLUB SAN PEDRO**  
 Date: **6/15/2012**  
**OUTDOOR LIGHTING ZONE**

Equipment Requiring Testing	Description	Height of Equipment	Location	OLTG-2A Compliance Tests

**Certificate of Compliance**  
 Project Name: **BOYS & GIRLS CLUB SAN PEDRO**  
 Date: **6/15/2012**  
**INSTALLATION CERTIFICATE, OLTG-1B-1ST (Submit a copy and verify form is completed and signed)**

Name	Location	#	Description	Field Inspection

**Certificate of Compliance**  
 Project Name: **BOYS & GIRLS CLUB SAN PEDRO**  
 Date: **6/15/2012**  
**Principal Lighting Designer's Declaration Statement**

I, **CLIFF ISHII**, of the City of **San Pedro**, California, do hereby certify that I am a duly licensed Professional Engineer in the State of California, and I am the Principal Lighting Designer for the project described above. I have read and understand the contents of the Certificate of Compliance, and I have verified that the information provided to me is true and accurate. I have also verified that the project complies with the applicable California Electrical Code and the applicable California Energy Code. I have also verified that the project complies with the applicable California Energy Code. I have also verified that the project complies with the applicable California Energy Code. I have also verified that the project complies with the applicable California Energy Code.

2008 International Compliance Forms August 2009

2008 International Compliance Forms August 2009

2008 International Compliance Forms August 2009

2008 International Compliance Forms August 2009

**OUTDOOR LIGHTING WORKSHEET**

Project Name: **BOYS & GIRLS CLUB SAN PEDRO** Date: **6/15/2012**

**A. LIGHTING POWER ALLOWANCE FOR GENERAL LANDSCAPE**

AREA	AREA WATTAGE ALLOWANCE (AWA)	LINEAR WATTAGE ALLOWANCE (LWA)	INITIAL TOTAL GENERAL WATTAGE ALLOWANCE
ILLUMINATED SQUARE FOOT	AWA (A.X.B)	LWA (D.X.E)	C + F + G
14,597	0.092	512	2,625

**B. SPECIFIC APPLICATION LIGHTING WATTAGE ALLOWANCE PER UNIT LENGTH (Available only for table footcandle)**

TYPE	TYPE	TYPE	TYPE	TYPE	TYPE
A	B	C	D	E	F
Linear Foot Allowance (ft x W)	Linear Foot Allowance (ft x W)	Linear Foot Allowance (ft x W)	Linear Foot Allowance (ft x W)	Linear Foot Allowance (ft x W)	Linear Foot Allowance (ft x W)

2008 International Compliance Forms August 2009

NO	DATE	ITEM	BY	NO	DATE	ITEM	BY
1	6-15-12	LAST DISTRIBUTION LIST REVISED	JCR	1	6-15-12	PARK REVISIONS	JCR
2	6-15-12	REVISED PLAN CHECK	JCR	2	6-15-12	PARK REVISIONS	JCR
3	6-15-12	REVISED PLAN CHECK	JCR	3	6-15-12	PARK REVISIONS	JCR

**Rodin Associates**  
 Jerry C. Rodin, Architect, A.I.A.

29000 S. WESTERN AVENUE, SUITE 408  
 RANCHO PALOS VERDES, CA 90275  
 OFFICE: (310) 832-3135  
 FAX: (310) 832-0333  
 E-MAIL: jrodin@sbglobat.net

**OUTDOOR LIGHTING TITLE24 FORMS & CALCULATIONS**

DANIELS FIELD SKATE PARK 4 SPORTS CENTER DESIGN FOR THE CITY OF LOS ANGELES DEPARTMENT OF RECREATION AND PARKS  
**BOYS & GIRLS CLUB OF SAN PEDRO**  
 MIKE LANOING, EXECUTIVE DIRECTOR  
 1200 S. CABRILLO AVENUE SAN PEDRO, CA 90731  
 (310) 833-0007 OFFICE (310) 833-4253 FAX  
 845 W. 12th STREET, SAN PEDRO, CA 90731

**E-3**  
 REGISTERED PROFESSIONAL ENGINEER  
 No. 117012  
 State of California  
**TITLE - 24 ENERGY ONLY**  
 RA-2002-005  
 1/21/2011

RODIN ASSOCIATES, JERRY C. RODIN, ARCHITECT, A.I.A., ENGINEER, RESERVE THEIR COPYRIGHT AND OTHER PROPRIETARY RIGHTS IN THESE PLANS. THESE PLANS ARE NOT TO BE REPRODUCED, CHANGED, COPIED, COMPILED, IN ANY FORM OR MANNER WITHOUT THE WRITTEN PERMISSION AND CONSENT OF RODIN ASSOCIATES, JERRY C. RODIN, ARCHITECT, A.I.A. SHOULD ANY UNAUTHORIZED REUSE BY A THIRD PARTY WITHOUT FIRST OBTAINING THE WRITTEN PERMISSION AND CONSENT OF RODIN ASSOCIATES, JERRY C. RODIN, ARCHITECT, A.I.A. BEING DEEMED TO BE A VIOLATION OF THE COPYRIGHT AND OTHER PROPRIETARY RIGHTS IN THESE PLANS.